

8

7

6

5

4

3

2

1

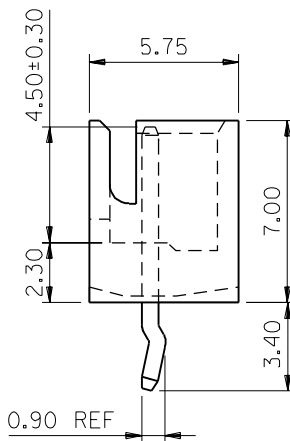
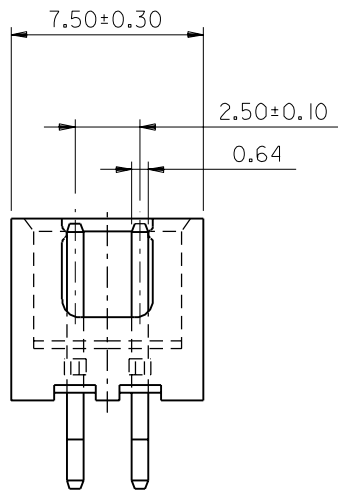
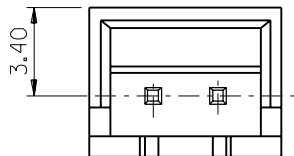
ENG. NO SD-67280-\*\*\*0

EDP NO.

SIMILAR ITEM

CADFILE NO. S6728001.S01

DO NOT SCALE DRAWING



NOTES

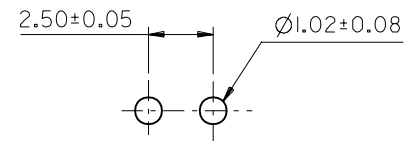
1.MATERIAL:

WAFER: POLYESTER,UL 94V-0

COLOR: NATURAL

POST: BRASS,TIN PLATED,THICKNESS=200 MICROINCH MINMUM.

2.PRODUCT SPEC.: PS-67261-003



PC BOARD HOLE LAYOUT  
 RECOMMENDED PCB THICKNESS 1.60mm

ADD NOTES EC NO. T2002-0156 DRWN: LZHAO 2002/01/03 CHK: LUJING 2002/01/07 APPR: SAMHUANG 2002/01/07	CHANGE MATERIAL EC NO. T2001-0109 DRWN: TITON Huang 02/20/01 CHK: Vincent Lin APPR: Mega Lin	UPDATE TITLE DESCRIPTION EC NO. T2001-0009 DRWN: GRACE LEU 00/08/28 CHK: EMILY HSU APPR: MEGA LIN	R.T.M. EC NO. T2000-0193 DRWN: G.WANG 00/03/13 CHK: WILSON CHANG APPR: MEGA LIN	NEW RELEASE EC NO. T2000-0043 DRWN: EMILY HSU 99/07/17 CHK: WILSON CHANG APPR: MEGA LIN	DESCRIPTION REV	QUALITY SYMBOLS MAJOR CRITICAL	GENERAL TOLERANCES: (UNLESS SPECIFIED)		SCALE NTS	DESIGN UNITS <input checked="" type="checkbox"/> mm <input type="checkbox"/> INCH	THIRD ANGLE PROJECTION	DIMENSIONS: <input type="checkbox"/> mm <input type="checkbox"/> INCH <input checked="" type="checkbox"/> mm ONLY		SHT	REV
							4 PLACES ± . --- ±.	3 PLACES ± . --- ±.	2 PLACES ± 0.20	1 PLACE ± 0.20	DRAWN BY & DATE EMILY HSU 99/07/17	TITLE: 2.50 MM PITCH WIRE TO BOARD, HEADER ASSEMBLY			REVISION ON CAD ONLY
DRAFT WHERE APPLICABLE MUST REMAIN WITHIN DIMENSIONS							ANGULAR: ±2°		CAD FILENAME S6728001.S01	MATERIAL NO. SEE CHART	DRAWING NO. SD-67280-001	SHEET NO. 1 OF 2		SIZE A3	
THIS DRAWING CONTAINS INFORMATION THAT IS PROPRIETARY TO MOLEX INCORPORATED AND SHOULD NOT BE USED WITHOUT WRITTEN PERMISSION.											MOLEX INCORPORATED				

